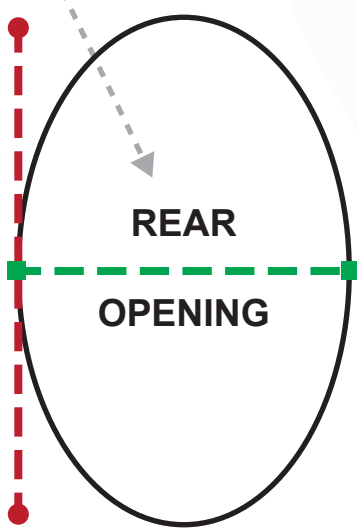
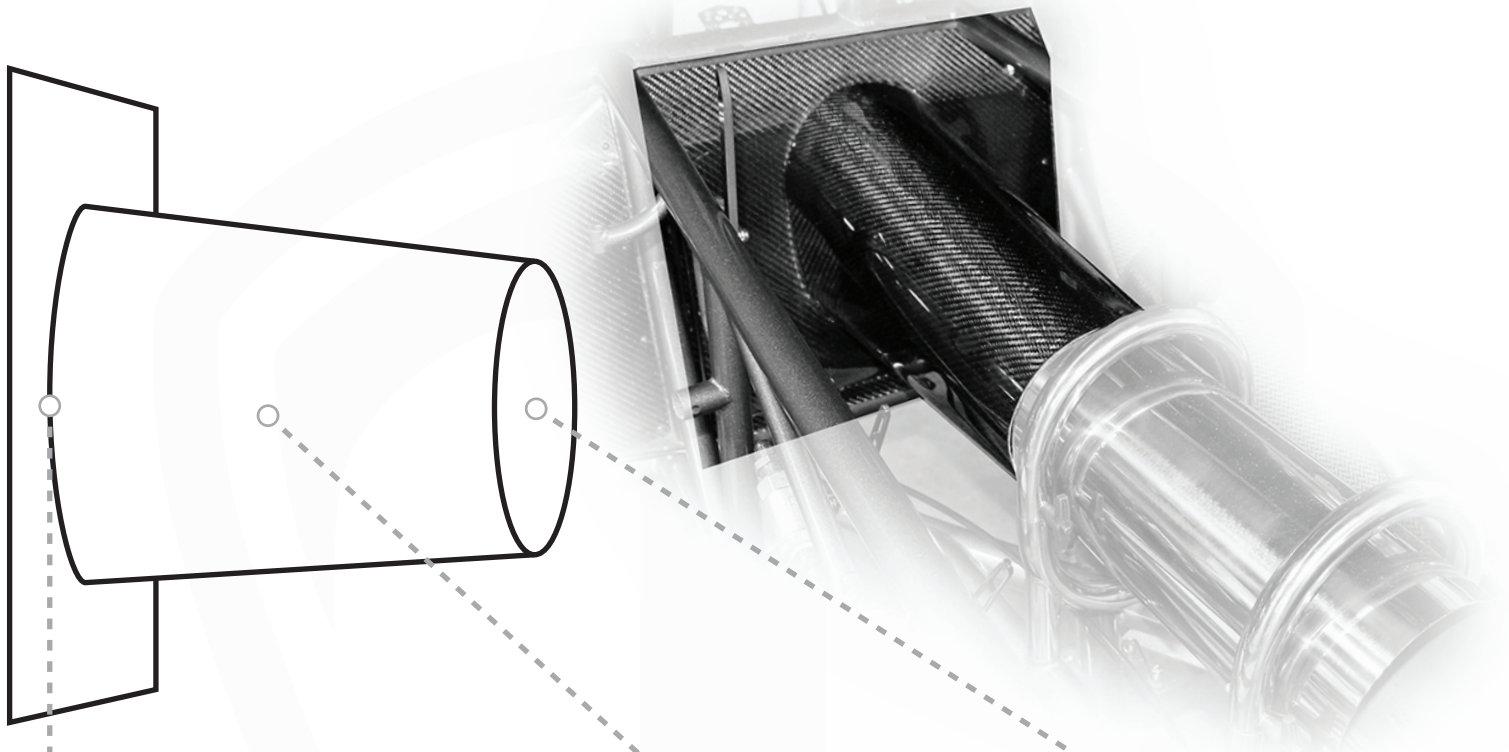


Custom carbon fiber drive shaft sealer tube dimension form.

NOTES: _____

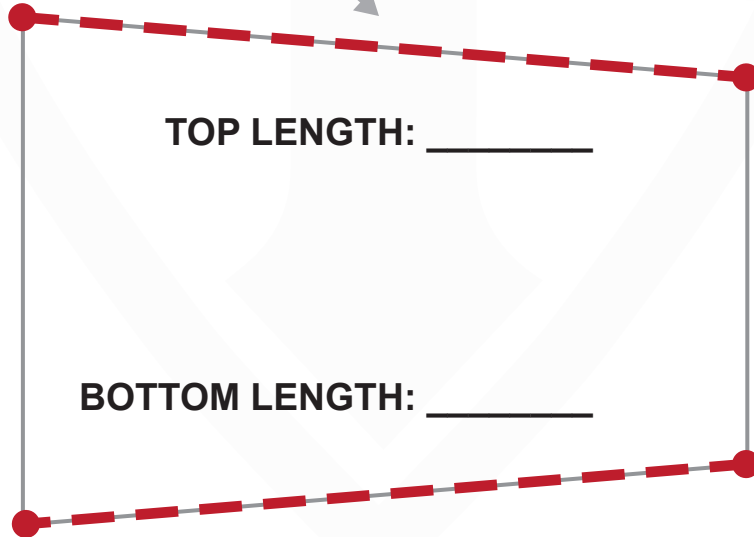


REAR

OPENING

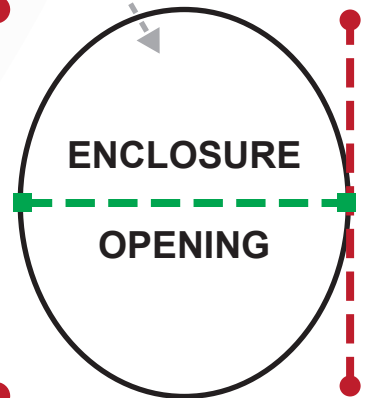
● HEIGHT: _____

■ WIDTH: _____



TOP LENGTH: _____

BOTTOM LENGTH: _____



ENCLOSURE

OPENING

● HEIGHT: _____

■ WIDTH: _____

